

# Инструкция по эксплуатации

Плоскошлифовальная машина Felisatti TP115/300  
1041200100

**Цены на товар на сайте:**

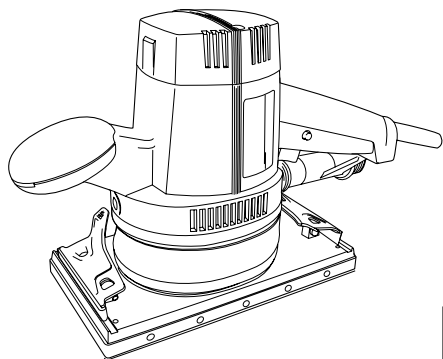
[http://www.vseinstrumenti.ru/instrument/shlifmashiny/vibratsionnye/felisatti/tr115\\_300\\_1041200100/](http://www.vseinstrumenti.ru/instrument/shlifmashiny/vibratsionnye/felisatti/tr115_300_1041200100/)

**Отзывы и обсуждения товара на сайте:**

[http://www.vseinstrumenti.ru/instrument/shlifmashiny/vibratsionnye/felisatti/tr115\\_300\\_1041200100/#tab-Responses](http://www.vseinstrumenti.ru/instrument/shlifmashiny/vibratsionnye/felisatti/tr115_300_1041200100/#tab-Responses)



# FELISATTI



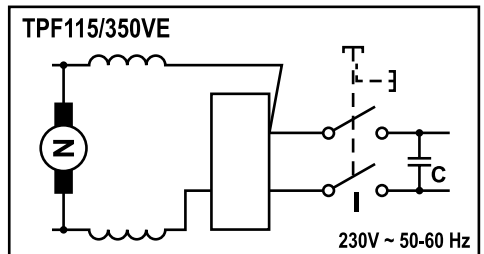
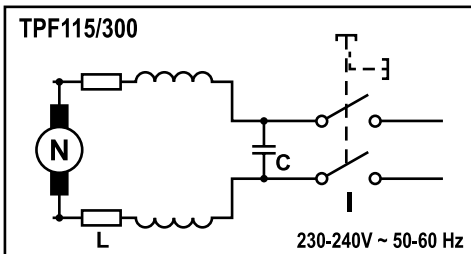
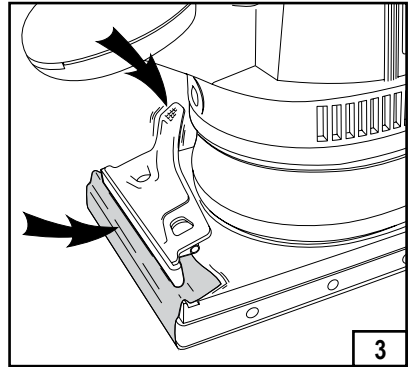
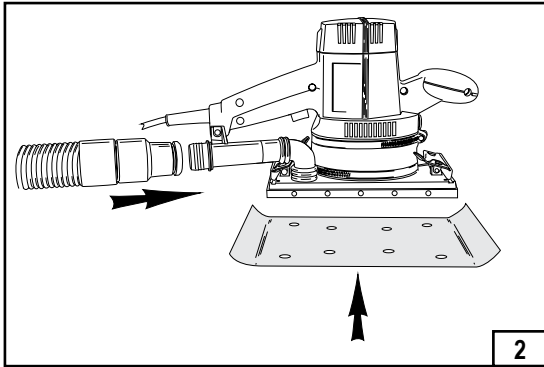
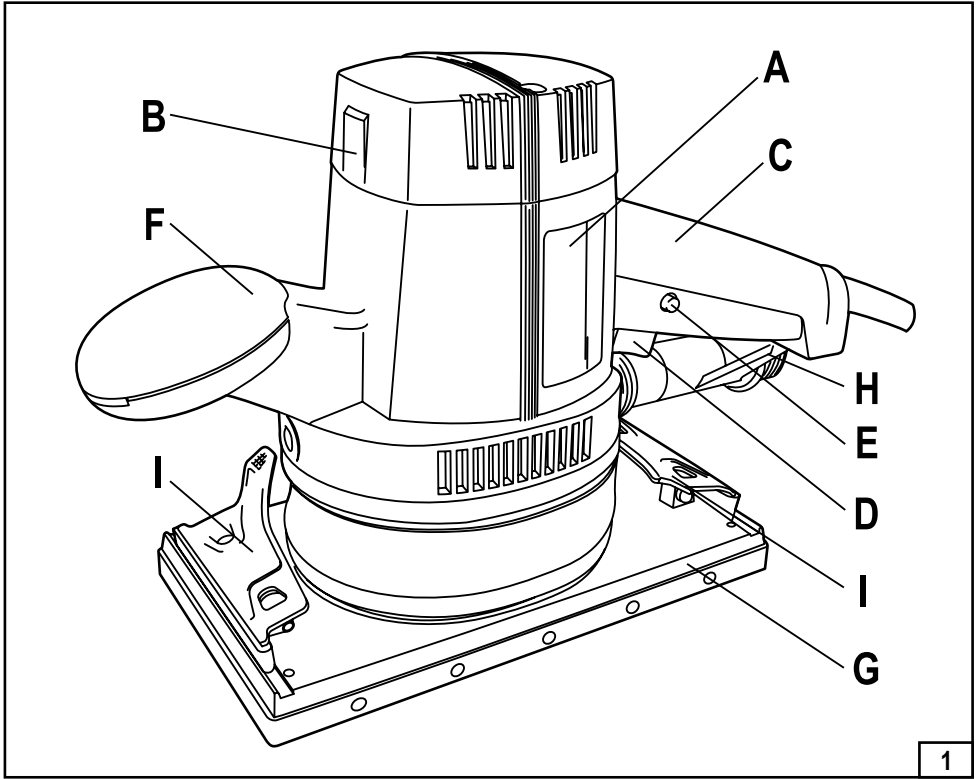
**TP115/300**

**TP115/350VE**

- EN** Operating Instructions
- ES** Instrucciones de servicio
- FR** Mode d'emploi
- IT** Istruzioni per l'uso
- DE** Bedienungsanleitung
- RU** Руководство по эксплуатации

**ROTARY DRILL**  
**TALADRADORA**  
**PERCEUSE**  
**TRAPANO**  
**BOHRMASCHINE**  
**МАШИНА РУЧНАЯ ЭЛЕКТРИЧЕСКАЯ**  
**СВЕРЛИЛЬНАЯ**





## OPERATING INSTRUCTIONS FOR ORBITAL SANDER INTRODUCTION

All FELISATTI portable tools conform with standard EN60745, 98/37/EC machine directives and following modifications, with 2006/95/EC, 93/68/EEC and, with regard to electromagnetic compatibility, the tools conform with directive EEC/89/336, and with standards EN55014.1, EN 55014.2, EN 61000.3.2, EN 61000.3.3 and EN 50366.

**CE** The mark on the tool guarantees its conformity.

If used with the care and serviced regularly, this tool will provide long-lasting and reliable service. Carefully follow the instructions contained in this manual, using them for reference for any eventual controls that may need to be carried out.

## TECHNICAL DATA

## 1.1 TECHNICAL DATA

MODEL		TPF115/350	TPF115/350VE
Voltage and current	V / A	230V-1,6A	230V-2,4A
Frequency	Hz	50-60	
Absorbed power	W	300	350
Unloaded speed	/min	10000	6500
Full-load speed	/min	6000	6000
Oscillation unloaded	/min	20000	13000
Orbit	mm	2	4,5
Pad dimensions	mm	115x210	115x210
Weight	kg	2,9	2,9
Sound pressure emitted	L <sub>pa</sub> dB(A).(*)	75	70,4
Sound power emitted	L <sub>wa</sub> dB(A).(*)	86	83,4
Vibration level m/sl (*)	mm	4,3	4,9
* Surveys carried out according to standards: EN60745.1 - EN60745.2.4			

## 1.1 STANDARD EQUIPMENT

TPF115/350VE-TPF115/350: Suction unit pipe union.

The series fittings may vary according to the model purchased and the actual commercial situation.

## 1.2 ACCESSORIES AVAILABLE ON REQUEST

Abrasive paper, paper perforator, suction unit, suction unit kit (only for models programmed for suction unit use).

## 1.3 SAFETY STANDARDS

The tool has been designed and constructed to permit operation in all situations and in absolute safety. In particular working conditions remember to use protective gloves and safety goggles.

The tool has been designed and constructed to reduce noise to minimum levels. (See technical data 1.1). In particular working conditions the maximum sound level at the place of work may exceed 85 dBA. In this case the operator must use ear protectors. Work carefully and maintain the tool in perfect working order, for your own safety.

## GENERAL INFORMATION

## 1.0 THE AIM OF THIS MANUAL

This manual has been prepared by the Manufacturer as an integral part of the mitre saw equipment.

The information contained is for the benefit of professional operators.

This manual defines the purpose for which the mitre saw was designed, and contains all the information necessary to ensure safe and correct use. We therefore recommend reading the manual carefully before proceeding to any form of adjustment, operation or maintenance. Constant respect for the contents of this manual ensures both machine and operator safety and the most economical and longest working life of the machine itself. Photographs and drawings have been supplied by the manufacturer for exemplifying purposes; with the aim of following a policy of constant development and product modernisation, the

manufacturer is entitled to make modifications without forewarning.

## 1.1 TOOL IDENTIFICATION

The plate located on the left hand side of the tool identifies the model, the data plate located on the right hand side of the tool contains the model references, the technical specifications of the motor and the constructor.

## 1.1.1 IDENTIFICATION

- A Logotype plate
- B Data plate
- C Principal handgrip
- D Switch
- E Switch locking push-button
- F Supplementary handgrip
- G Base (Pad)
- H Suction

I Abrasive paper fixing clamp

## 1.2 MANUFACTURER – IDENTIFICATION

Interskol Power Tools S.L.  
Carretera de Sant Joan de les Abadesses  
s/n17500 RIPOL. (Girona), SPAIN  
Tel +34972700200 - Fax +34972700554  
E-mail: e-mail: felisatti@interskol.es

## GENERAL SAFETY STANDARD

**WARNING! Read all instructions. Failure to follow all instructions listed below may result in electric shock, fire and/or serious injury.**

The term "power tool" in all of the warnings listed below refers to your mains operated (corded) power tool or battery operated (cordless) power tool.

## SAVE THESE INSTRUCTIONS

- 1) WORK AREA
  - a) Keep work area clean and well lit. Cluttered and dark areas invite accidents.
  - b) Do not operate power tools in explosive atmospheres, such

as in the presence of flammable liquids, gases or dust. Power tools create sparks which may ignite the dust or fumes.

c) Keep children and bystanders away while operating a power tool. Distractions can cause you to lose control.

## 2) ELECTRICAL SAFETY

a) Power tool plugs must match the outlet. Never modify the plug in any way. Do not use any adapter plugs with earthed (grounded) power tools. Unmodified plugs and matching outlets will reduce risk of electric shock.

b) Avoid body contact with earthed or grounded surfaces such as pipes, radiators, ranges and refrigerators. There is an increased risk of electric shock if your body is earthed or grounded.

c) Do not expose power tools to rain or wet conditions. Water entering a power tool will increase the risk of electric shock.

d) Do not abuse the cable. Never use the cable for carrying, pulling or unplugging the power tool. Keep cable away from heat, oil, sharp edges or moving parts. Damaged or entangled cables increase the risk of electric shock.

e) When operating a power tool outdoors, use an extension cable suitable for outdoor use. Use of a cable suitable for outdoor use reduces the risk of electric shock.

## 3) PERSONAL SAFETY

a) Stay alert, watch what you are doing and use common sense when operating a power tool. Do not use a power tool while you are tired or under the influence of drugs, alcohol or medication. A moment of inattention while operating power tools may result in serious personal injury.

b) Use safety equipment. Always wear eye protection. Safety equipment such as dust mask, non-skid safety shoes, hard hat, or hearing protection used for appropriate conditions will reduce personal injuries.

c) Avoid accidental starting. Ensure the switch is in the off position before plugging in. Carrying power tools with your finger on the switch or plugging in power tools that have the switch on invites accidents.

d) Remove any adjusting key or wrench before turning the power tool on. A wrench or a key left attached to a rotating part of the power tool may result in personal injury.

e) Do not overreach. Keep proper footing and balance at all times. This enables better control of the power tool in unexpected situations.

f) Dress properly. Do not wear loose clothing or jewellery. Keep your hair, clothing and gloves away from moving parts. Loose clothes, jewellery or long hair can be caught in moving parts.

g) If devices are provided for the connection of dust extraction and collection facilities, ensure these are connected and properly used. Use of these devices can reduce dust related hazards.

## 4) POWER TOOL USE AND CARE

a) Do not force the power tool. Use the correct power tool for your application. The correct power tool will do the job better and safer at the rate for which it was designed.

b) Do not use the power tool if the switch does not turn it on and off. Any power tool that cannot be controlled with the switch is dangerous and must be repaired.

c) Disconnect the plug from the power source before making any adjustments, changing accessories, or storing power tools. Such preventive safety measures reduce the risk of starting the power tool accidentally.

d) Store idle power tools out of the reach of children and do not allow persons unfamiliar with the power tool or these instructions to operate the power tool. Power tools are dangerous in the hands of untrained users.

e) Maintain power tools. Check for misalignment or binding of moving parts, breakage of parts and any other condition that

may affect the power tools operation. If damaged, have the power tool repaired before use. Many accidents are caused by poorly maintained power tools.

f) Keep cutting tools sharp and clean. Properly maintained cutting tools with sharp cutting edges are less likely to bind and are easier to control.

g) Use the power tool, accessories and tool bits etc., in accordance with these instructions and in the manner intended for the particular type of power tool, taking into account the working conditions and the work to be performed. Use of the power tool for operations different from intended could result in a hazardous situation.

## 5) SERVICE

a) Have your power tool serviced by a qualified repair person using only identical replacement parts. This will ensure that the safety of the power tool is maintained.

## INSTALLATION

### 1.1 PACKAGING

This tool is sold complete with accessories and the user's manual, contained in a cardboard box (or in a metal case) of suitable size and thickness for the work that the tool is intended for. This container should be kept as it will prove useful for your work.

### 1.2 INSTALLATION

The environmental conditions, temperature, humidity, lighting, the correct dislocation of your tool and the cleanliness of the place of work are important conditions for personal safety and tool performance. These factors should always be kept under control in order to improve working conditions and ensure safety.

### 1.3 ELECTRICAL CONNECTION

Before connecting the power tool to the mains or to the isolation transformer, make sure that it complies with local norms and that the voltage and the frequency correspond to those indicated on the machine data plate.

When using extension leads, make sure that the cable cross section is suited to the cable length. If extension leads on reels are used, make sure that they are completely unwound to avoid the risk of overheating.

### ATTENTION!

**The switch on this tool is fitted with a locking device, allowing the tool to be operated for long periods of time without interruptions.**

**Before inserting the plug into the socket, check that the switch is in the unlocked position.**

### ATTENTION!

**When the tool is not to be used for long periods remember to leave the switch device in the unlocked position.**

### 4.4 PLACE OF WORK

The tool that you have purchased is a portable electric power tool.

Only one user should operate this tool, given its shape, weight and maneuverability.

Normal use requires that both of the operator's hands are firmly kept on the two handgrips.

### Attention!

**Always keep hands a safe distance away from the pad!**

## REGULATION

The tool is already regulated according to standard parameters by the constructor when supplied.

## OPERATION AND USE

### 1.1 CONSTANT ELECTRONIC CONTROL

The TPF115/350VE machines is equipped with an electronic circuit that maintains constant motor revolutions in all working situations, guaranteeing optimal working conditions.

### 1.2 APPLICATIONS

As a result of the r.p.m. and constant electronic control mechanisms, the TPF115/350VE is particularly suitable for metal filler sanding and vehicle bodywork.

### 1.3 USE AND APPLICATION

The tool is supplied ready for use it is only necessary to insert the abrasive paper onto the pad.

Pre-punched abrasive paper, or normal paper to be punched with the paper punch supplied, can be applied (for the AS models with shavings extraction). In order to fix the abrasive paper, proceed as follows (fig. 2-3):

- 1) Open one fixing clamp and insert the sheet of abrasive paper into the exact position.
- 2) Position the sheet of abrasive paper on the base of the tool.
- 3) Open the second clamp and insert the other edge of the sheet of abrasive paper.

Check that the sheet is firmly secured and that it completely covers the base of the tool.completely covers the base of the tool.

#### Attention!

**Excessive pressure on the handgrip does not necessarily result in higher sanding speed, on the contrary, it can provoke motor overloading and less efficient operation.**

### 1.4 ABRASIVE PAPER

Only use good quality abrasive paper as this will improve the sanding efficiency and reduce working time.

Use coarse grade (40-60-80) sanding sheets for when large quantities of material require to be removed.

For finishing operations use 150 to 320 grade sanding sheets.

### 1.5 SHAVINGS SUCTION UNITS (FIG. 2-3)

Felisatti AS22 and AS35/E dust suction units have been designed to keep working areas clean and free from dust.

The AS35/E model is remote-controlled by means of the switch on the electric power tool, that can be connected by simply inserting the plug into the socket located on the dust suction unit, thus avoiding wasting time and energy.

Always remember to empty the dust suction bag, it could fill up and in that way make working operations less efficient.

Felisatti suction units can also be used for these tools.

### 1.6 IMPROPER USE

The functions and use of this tool are those exclusively indicated in this manual.

**ANY OTHER USE OF THE TOOL IS EXPLICITLY FORBIDDEN!**

### 1.7

#### ATTENTION!

**Contact with or inhalation of the processing dust may be dangerous for the operator and for anyone who is in the vicinity.**

Particular care must be taken when smoothing wood or surfaces painted with lead paint due to the dangerous dust produced. It is recommended to use safety goggles and anti-dust masks.

the tool from the power supply and clean carefully.

### 7.1 DISPOSAL

At the end of the machine's working life, or when it can no longer be repaired, ensure that it is disposed of according to the standard regulations of the country in which it is being used, and that the disposal operation is carried out by specialized personnel following authorized guidelines.

In all circumstances:

- Do not abandon in the environment;
- Do not dispose of together with solid urban waste products;
- Contact the special recycling centers.

## PARTS REPLACEMENT

#### Attention!

**Disconnect the plug from the power supply socket before replacing any parts.**

### 1.1 BRUSHES

The brushes must be replaced after approx. 150-200 working hours, or if they are less than 5-6 mm in length.

#### Attention!

**For correct tool operation always change the brushes in pairs, not separately. The use of original Felisatti spare parts is recommended.**

#### Attention!

**This operation should only be performed by an authorized service center.**

**ATTENTION: After fitting new brushes allow the motor to run idle for 5 minutes.**

### 1.2 REPLACING THE POWER SUPPLY CABLE

Check that the power supply cable is in good condition, if not have it replaced by an authorized service center.

## MAINTENANCE

Regular inspection reduces the necessity for maintenance operations and will keep your tool in good working condition. The tool bearings are life-long lubricated. The motor must be correctly ventilated during tool operation. For this reason avoid blocking the air inlets with hands. After use, disconnect

GB



**Do not dispose of electric tools  
in the household waste!**

In accordance with European Directive 2002/96/EC relating to old electrical and electronic appliances and its translation into national law, used electric tools must be collected separately and recycled in an ecologically desirable way.



**DECLARATION OF CONFORMITY**

We hereby declare, under our sole responsibility, that the FELISATTI brand products described in this manual comply with the following standards or standard documents: EN60745, 98/37/EC machine directives and following modifications, with 2006/95/EC, 93/68/EEC and, with regard to electromagnetic compatibility, the tools conform with directive EEC/89/336, and with standards EN55014.1, EN 55014.2, EN 61000.3.2, EN 61000.3.3 and EN 50366.

Jordi Carbonell

Santiago Lopes

---

We reserve the right to make technical changes 06/2011

## INSTRUCCIONES PARA EL USO DE LIJADORAS ORBITALES

### INTRODUCCIÓN

Todas las herramientas portátiles FELISATTI son conformes con la Norma EN 60745, con la directiva máquinas 98/37/CE y sucesivas modificaciones, con las directivas 2006/95/CE y 93/68/CEE y, por lo que atañe a la compatibilidad electromagnética, son conformes con la directiva 89/336/CEE y con las Normas EN 55014.1, EN 55014.2, EN 61000.3.2, EN 61000.3.3 y EN 50366. Si la herramienta se utiliza con cuidado y se cumple el normal mantenimiento, su funcionamiento será prolongado. Respetar atentamente las instrucciones contenidas en este manual, conservarlo con cuidado y al y tenerlo alcance de la mano para posibles controles de las partes indicadas.

☑ La marca indicada sobre la herramienta garantiza la conformidad.

### TECHNICAL CHARACTERISTICS

#### 1.1 TECHNICAL DATA

MODELO		TPF115/350	TPF115/350VE
Tensiyón y Corriente	V / A	230V-1,6A	230V-2,4A
Frecuencia	Hz	50-60	
Potencia Absorbida	W	300	350
Velocidad en vacío	/min	10000	6500
Velocidad en carga	/min	6000	6000
Oscilaciones en vacío	/min	20000	13000
Orbita	mm	2	4,5
Dimensiones platillo	mm	115x210	115x210
Peso	kg	2,9	2,9
Presiyón sonora emitida	Lpa dB(A).(*)	75	70,4
Potencia sonora emitida	Lwa dB(A).(*)	86	83,4
Nivel de vibraciones m/s <sup>2</sup> (*)	mm	4,3	4,9
* Controles realizados según las normas: EN60745.1 - EN60745.2.4			

#### 1.2 DOTACIÓN STANDARD

TPF115/350VE - TPF115/350: Empalme tubo aspirador. La dotación de serie puede variar según la versión adquirida y la campaña comercial en curso.

#### 1.3 ACCESORIOS SOBRE PEDIDO:

Papel abrasivo, perforadora de papel, aspirador, kit para aspirador (sólo para versiones preajustadas para la aspiración).

#### 1.4 DISPOSITIVOS DE SEGURIDAD

La herramienta ha sido proyectada y construida para que sea posible trabajar en todas las situaciones con total seguridad, a pesar de todo en particulares condiciones de trabajo recordar de utilizar adecuados guantes de trabajo y gafas protectivas.

La herramienta ha sido proyectada y construida para reducir la mínimo los ruidos (ver datos técnicos 1.1), a pesar de esto en especiales condiciones el nivel de ruido máximo en el sitio de trabajo podría ser superior a 85 dBA. En este caso el operador debe protegerse de la rumorosidad excesiva por medio del utilizo de auriculares.

Sean prudentes en el cumplimiento de vuestro trabajo y mantener en orden vuestra herramienta, a beneficio de V.s. seguridad.

### INFORMACIONES GENERALES

#### 1.0 FINALIDAD DEL MANUAL

Este manual ha sido redactado por el constructor y constituye parte integrante del material en dotación a la herramienta. Las informaciones contenidas están destinadas a los operadores profesionales.

Este manual especifica la finalidad para la cual la herramienta ha sido construida y contiene todas las informaciones necesarias para garantizar un utilizo seguro y correcto. Por lo tanto, se recomienda consultar atentamente este manual antes de realizar cualquier tipo de regulación, uso

o mantenimiento.

El constante respeto de las normas contenidas en el mismo garantiza la seguridad de la persona y de la máquina, el ahorro de ejercicio y una duración mas prolongada de la herramienta.

Las fotografías y diseños son abastecidos como ejemplos, el constructor en una continua investigación para el constante desarrollo y mejoría del producto puede aportar modificaciones sin previo aviso.

#### 1.1 IDENTIFICACION DE LA HERRAMIENTA

La tarjeta marca ubicada en el lado izquierdo de la herramienta identifica el modelo, la tarjeta datos ubicada en el lado derecho de la herramienta contiene las referencias del modelo y los datos técnicos del motor y de su constructor.

##### 1.1.1 IDENTIFICACION

- A Tarjeta marca
- B Tarjeta datos
- C Puño principal
- D Interruptor
- E Pulsador de bloqueo interruptor
- F Puño suplementar
- G Base (Platillo)
- H Aspiración

I Pinzas fijación papel abrasivo

#### 1.2 FABRICANTE - IDENTIFICACIÓN

Poder Interskol Herramientas S.L.  
Carretera de Sant Joan de les Abadesses  
s/n17500 Ripol, (Girona), ESPAÑA  
Tel. +34972700200 - Fax +34972700554  
E-mail: e-mail: felisatti@interskol.es

### NORMAS GENERALES PARA LA SEGURIDAD

¡ATENCIÓN! Leer todas las instrucciones. El incumplimiento de cualquiera de las siguientes instrucciones puede provocar choques eléctricos, incendios y/o lesiones graves. La



expresión "herramienta eléctrica" que aparece en todas las siguientes advertencias se refiere a herramientas eléctricas cuyo accionamiento se efectúe mediante conexión a la línea (con cable) o por batería (sin cable).

#### CONSERVAR ESTAS INSTRUCCIONES

##### 1) ÁREA DE TRABAJO

a) Mantener el área de trabajo limpia y bien alumbrada. Las áreas en desorden y oscuras pueden ser causa de accidentes.

b) No accionar herramientas eléctricas en atmósferas explosivas, por ejemplo en presencia de líquidos, gases o polvo inflamables. Las herramientas eléctricas crean chispas que pueden provocar el encendido del polvo o de humos.

c) Mantener a los niños y transeúntes a distancia durante el accionamiento de una herramienta eléctrica. Las distracciones pueden provocar la pérdida del control de la herramienta.

##### 2) SEGURIDAD ELÉCTRICA

a) La clavija de la herramienta eléctrica tiene que corresponder con la toma. No modificar jamás la clavija en modo alguno. No utilizar enchufes adaptadores con herramientas eléctricas provistas de toma de tierra (a masa). Clavijas originales y correspondencia de enchufes reducen el riesgo de choque eléctrico.

b) Evitar el contacto del cuerpo con superficies conectadas a tomas de tierra o a masa, como por ejemplo tubos, radiadores, cocinas y neveras. Si el cuerpo está conectado a tierra o a masa, el riesgo de choque eléctrico aumenta.

c) No exponer las herramientas eléctricas a la lluvia ni utilizarlas en sitios húmedos. La entrada de agua en una herramienta eléctrica aumenta el riesgo de choque eléctrico.

d) No maltratar el cable. No utilizar nunca el cable para transportar, tirar o desenchufar la herramienta eléctrica. Mantener el cable distante de fuentes de calor, aceites, cantos afilados o partes en movimiento. Cables dañados o enredados aumentan el riesgo de choque eléctrico.

e) Al accionar una herramienta eléctrica en exteriores debe utilizarse un cable de extensión adecuado para ser usado en exteriores. La utilización de un cable adecuado reduce el riesgo de choque eléctrico.

##### 3) SEGURIDAD PERSONAL

a) No distraerse nunca, controlar lo que se está haciendo y usar el sentido común cuando se accionan herramientas eléctricas. No accionar la herramienta cuando se está cansado o bajo la influencia de drogas, alcohol o medicamentos. Un momento de distracción durante la utilización de herramientas eléctricas puede provocar graves lesiones a las personas.

b) Utilizar equipos de seguridad. Ponerse siempre protectores de los ojos. La utilización de apropiados equipos de seguridad como caretas antipolvo, calzado de seguridad antideslizante, casco de seguridad, o protectores del oído reduce la posibilidad de sufrir lesiones personales.

c) Evitar la puesta en marcha accidental. Comprobar que el interruptor esté en la posición de apagado antes de conectar la herramienta a la línea eléctrica. Transportar las herramientas eléctricas con el dedo en el interruptor o enchufarlas con el interruptor en posición de encendido puede provocar accidentes.

d) Retirar toda llave de regulación antes de encender la herramienta eléctrica. Una llave dejada enganchada en una parte giratoria de la herramienta eléctrica puede provocar lesiones a las personas.

e) No desequilibrarse. Mantener siempre la posición y el equilibrio apropiados. Esto permite controlar mejor la herramienta eléctrica en situaciones imprevistas.

f) Vestirse adecuadamente. No ponerse prendas de vestir

anchas ni joyas. Mantener el cabello, las prendas de vestir y los guantes alejados de las partes en movimiento. Vestidos anchos, joyas o cabellos largos pueden enredarse en las partes en movimiento.

g) En presencia de dispositivos que prevean la conexión con instalaciones para la extracción y la recogida de polvo, comprobar su conexión y correcta utilización. La utilización de estos dispositivos puede reducir los riesgos vinculados al polvo.

##### 4) USO Y MANTENIMIENTO DE LAS HERRAMIENTAS ELÉCTRICAS

a) No forzar la herramienta eléctrica. Utilizar la herramienta adecuada para la operación que debe efectuarse. La herramienta eléctrica apropiada permite realizar el trabajo con mayor eficiencia y seguridad, sin tener que superar los parámetros de utilización previstos.

b) No utilizar la herramienta eléctrica si el interruptor de encendido y apagado no funciona correctamente. Toda herramienta eléctrica que no puede ser controlada por el interruptor es peligrosa y debe repararse.

c) Desenchufar la clavija de la línea de suministro eléctrico antes de efectuar una operación de regulación, cambiar accesorios o guardar las herramientas eléctricas. Estas medidas de seguridad preventiva reducen el riesgo de puesta en marcha accidental de la herramienta eléctrica.

d) Guardar las herramientas eléctricas que no se utilizan fuera del alcance de los niños y no permitir su utilización a personas inexpertas o que desconozcan estas instrucciones. Las herramientas eléctricas son peligrosas si las utilizan personas inexpertas.

e) Efectuar el mantenimiento necesario en las herramientas eléctricas. Comprobar posibles errores de alineación o bloqueo de las partes en movimiento, la rotura de piezas y cualquier otra condición que pueda influir en el funcionamiento de las herramientas eléctricas. Si está dañada, hacer reparar la herramienta eléctrica antes de utilizarla. Precisamente el mal estado de conservación de las herramientas eléctricas provoca numerosos accidentes.

f) Mantener limpios y afilados los instrumentos de corte. Instrumentos de corte en buenas condiciones de conservación y con cantos de corte afilados es menos probable que se bloquee y son más fáciles de controlar.

g) Usar la herramienta eléctrica, los accesorios y las puntas etc. conformemente con estas instrucciones y en el modo previsto para el específico tipo de herramienta eléctrica, tomando en consideración las condiciones de trabajo y la operación que debe llevarse a cabo. La utilización de la herramienta eléctrica para operaciones distintas de las previstas puede dar lugar a situaciones peligrosas.

##### 5) ASISTENCIA

a) Hacer reparar la herramienta eléctrica exclusivamente a técnicos cualificados y utilizar únicamente recambios idénticos. Esto garantiza la constante seguridad de la herramienta eléctrica.

## INSTALACION

### 1.1 EMBALAJE

La herramienta adquirida, completa de accesorios y manual para el uso, se encuentra contenida en un embalaje de cartón (o en una maleta de metal) con dimensiones y formatos adecuados al uso previsto para esta herramienta, conservarlo con atención, les servirá para el cumplimiento de vs. trabajo.

### 1.2 INSTALACION

Las condiciones ambientales, la temperatura, la humedad, la iluminación, la correcta posición de vuestra herramienta

y la limpieza del ambiente de trabajo son condiciones importantes para la seguridad personal y para el rendimiento de la herramienta misma. Mantenerlas siempre controladas, trabajarán mejor y con mayor seguridad.

### 1.3 EMPALME ELECTRICO

Antes de conectar la herramienta a la red de alimentación o al transformador de aislamiento cerciórese de que cumpla con las normas vigentes en el país de utilización y que la tensión y la frecuencia correspondan a la indicada en la placa de características.

Para la utilización de cables de prolongación, controle que la sección de los cables sea adecuada a la longitud.

Si usa cables de prolongación enrollados, controle que se desenrollen totalmente para evitar fenómenos de sobrecalentamiento.

### ATENCION

**El interruptor de estas herramientas posee un bloqueo para poder trabajar durante periodos prolongados sin que sea obligatorio mantenerlo presionado.**

Antes de insertar el enchufe en la toma de corriente controlar que el interruptor se encuentre en la posición de desbloqueo. Cuando no se utiliza la herramienta por un periodo prolongado no olvidar que la tecla del interruptor debe permanecer desbloqueada.

### 1.4 SITIO DE TRABAJO

La herramienta que Ud. ha comprado es una electroherramienta portátil.

Para su utilizo se prevee un solo operador gracias a su construcción, peso y manejabilidad.

El empleo normal prevee las manos del operador posicionadas en forma firme sobre los dos puños.

Atención mantener las manos, siempre, lejos del platillo

## REGULACION

El constructor entrega la herramienta regulada según los parámetros standard.

## FUNCIONAMIENTO Y USO

### 1.1 CONSTANT ELECTRONIC

El TPF115/350VE es equipado con un circuito electrónico que permite mantener constante el número de revoluciones del motor en cualquier condición de trabajo, por lo tanto Vs. labor se cumplirá siempre en las condiciones mas favorables.

### 1.2 UTILIZOS

El modelo TPF115/350VE, gracias a su número de revoluciones y al efecto del constant electronic, es particularmente adecuado para el levigado de los estucos metálicos y para trabajos de carrocería.

### 1.3 ACCIONAMIENTO Y FORMA DE EMPLEO

La máquina se abastece preparada para el uso, es necesario solo montar el papel abrasivo en el platillo. Se pueden utilizar papeles anteriormente perforados o papel normal a perforar con el perfora papel en dotación (para los modelos AS, con aspiración de las virutas) Para la fijación del papel abrasivo proceder de la siguiente forma (fig. 4-5)

1. Abrir una pinza e introducir el papel abrasivo en la posición exacta.

2. Extender el papel abrasivo sobre la base de la herramienta.

3. Abrir la segunda pinza e introducir la otra parte del papel abrasivo.

Controlar que el papel se encuentre bien fijado y cubra toda la base de la herramienta.

ATENCION - Una presión mayor sobre el puño no significa

necesariamente una mayor velocidad de lijado, al contrario puede originar una sobrecarga excesiva al motor y un funcionamiento menos eficaz.

### 1.4 PAPEL ABRASIVO

Usar exclusivamente papel abrasivo de calidad: mejoran las prestaciones de la máquina y disminuyen los tiempos de trabajo.

Para operaciones de desgrosado que precisan una fuerte asportación de material usar prevalentemente papel con grano 40-60-80.

Para operaciones de acabado, usar papel con grano de 150 a 320.

### 1.5 ASPIRACION DE LAS VIRUTAS (fig. 2-3)

Para mantener limpio y sin polvo el sitio de trabajo se encuentran disponibles los aspiradores Felisatti AS22 y AS35/E.

El modelo AS35/E ha sido equipado con mando a distancia. El mismo se activa por medio del interruptor de la electroherramienta empalmado el enchufe a la toma ubicada en el aspirador, en esta forma se evitan pérdidas de tiempo y de energía.

También para estas herramientas es posible utilizar los aspiradores Felisatti.

### 1.6 USO INADECUADO

Las funciones y el uso de la herramienta que Ud. compró son solo y exclusivamente aquellas indicadas en el presente manual.

Está totalmente prohibido cualquier otro uso de la herramienta.

### 1.7

**¡ATENCIÓN!** - ¡El contacto o la inhalación del polvo producido durante el trabajo puede ser peligroso para el operador o para quienes se encuentren en los alrededores!

Es preciso prestar particular atención durante el lijado de madera o de superficies pintadas con pinturas al plomo debido a la peligrosidad del polvo producido. Se aconseja la utilización de gafas protectoras y de caretas antipolvo.

## MANTENIMIENTO

Un control regular disminuye la necesidad de mantenimiento y conserva vuestra herramienta en buenas condiciones de trabajo. Los cojinetes han sido lubricados para todo el periodo de duración de la herramienta. El motor debe ser correctamente ventilado durante el utilizo de la herramienta. Por esta razón no apoyar las manos sobre las bocas de ventilación. Después de cada utilizo, desconectar la herramienta de la corriente y limpiarla cuidadosamente.

### 1.1 ELIMINACION

Al fin de la vida de la máquina o cuando la misma ya no puede ser reparada, asegurarse que la misma sea eliminada por personal especializado y autorizado.

En todas formas:

No disperder en el ambiente

No mezclar con desperdicios sólidos urbanos

Dirigirse a específicos centros de reciclaje.

## PIEZAS DE REPUESTO

ATENCION - Antes de efectuar cualquier operación de sustitución de partes desconectar el enchufe de la toma de corriente.

### 1.1 ESCOBILLAS

Las escobillas deben ser reemplazadas después de aproximadamente 150 - 200 horas de trabajo o si su largo es inferior a los 5-6 mm.

**ATENCION - Para un correcto funcionamiento de la**

E

**herramienta reemplazar siempre las escobillas en pares y no una a la vez.**

Se recomienda el uso de recambios originales Felisatti.

Atención: Es necesario efectuar esta operación en un centro de asistencia autorizado.

**ATENCIÓN - Después del montaje de las nuevas escobillas hacer funcionar el motor en vacío durante como mínimo 5 minutos.**

#### 1.2 SUSTITUCION DEL CABLE DE ALIMENTACION

Controlar que las condiciones del cable de corriente sean buenas y en caso contrario hacerlo reemplazar en un centro de asistencia autorizado.



**¡No se deshaga de las herramientas eléctricas a través de los contenedores de basura doméstica!**

De acuerdo con la directriz europea 2002/96/CE referente a los residuos de los equipamientos eléctricos y electrónicos y a la conversión en el derecho nacional, las herramientas eléctricas usadas deben ser separadas y deben estar sujetas a un reciclaje que respete el medio ambiente.



### DECLARACIÓN DE CONFORMIDAD

Declaramos bajo nuestra sola responsabilidad que los productos marca FELISATTI descritos en este manual están en conformidad con la Norma EN 60745, con la directiva máquinas 98/37/CE y sucesivas modificaciones, con las directivas 2006/95/CE y 93/68/CEE y, por lo que atañe a la compatibilidad electromagnética, son conformes con la directiva 89/336/CEE y con las Normas EN 55014.1, EN 55014.2, EN 61000.3.2, EN 61000.3.3 y EN 50366.

Jordi Carbonell

Santiago Lopes

Reservado el derecho de modificaciones técnicas 06/2011

## MODE D'EMPLOI DES PONCEUSES ORBITALES INTRODUCTION

Tous les outils portables FELISATTI sont conformes à la Norme EN 60745, à la directive machine 98/37/CE et modifications, aux 2006/95/CE et 93/68/CEE et, en ce qui concerne la compatibilité électromagnétique, à la directive 89/336/CEE, aux Normes EN 55014.1, EN 55014.2, EN 61000.3.2, EN 61000.3.3, EN 61000.3.3 et EN 50366.

Le Label appliqué sur l'outil en garantit la conformité.

Votre outil durera longtemps si vous en faites un usage approprié et si vous l'entretenez.

Suivez attentivement les instructions de cette notice, prenez soin de l'outil et gardez-le à portée de main pour les éventuels contrôles des organismes compétents.

## TECHNICAL CHARACTERISTICS

### 1.1 DONNEES TECHNIQUES

MODELE		TPF115/350	TPF115/350VE
Tension et Courant	V / A	230V-1,6A	230V-2,4A
Fréquence	Hz	50-60	
Puissance Absorbée	W	300	350
Vitesse à vide	/min	10000	6500
Vitesse en charge	/min	6000	6000
Oscillations à vide	/min	20000	13000
Orbite	mm	2	4,5
Dimensions Plateau	mm	115x210	115x210
Poids	kg	2,9	2,9
Emission sonore	Lpa dB(A),(*)	75	70,4
Puissance sonore émise	Lwa dB(A),(*)	86	83,4
Niveau des vibrations m/s <sup>2</sup> (*)	mm	4,3	4,9

\* Relevés effectués d'après les normes: EN60745.1 - EN60745.2.4

### 1.2 FOURNITURE STANDARD

TPF115/350VE - TPF115/350: Raccord tuyau aspirateur.  
La fourniture standard peut varier en fonction de la version choisie et de la campagne commerciale en cours.

### 1.3 ACCESSOIRES SUR DEMANDE:

Abrasifs, perforateurs d'abrasif, aspirateur, kit pour aspirateur (seulement pour les versions qui prévoient l'aspiration).

### 1.4 DISPOSITIFS DE SECURITE

L'outil a été projeté et construit pour vous permettre de travailler dans toutes les situations en toute sécurité. Dans certaines conditions particulières de travail, ne pas oublier d'utiliser des gants de travail et des lunettes de protection.

L'outil a été projeté et construit pour réduire au minimum les émissions de bruit (voir données techniques point 1.1). Dans certaines conditions particulières, le niveau sonore maximum de la zone de travail pourrait excéder 85 dbA.

Dans ce cas, l'opérateur devra se protéger contre l'excès de bruit avec un casque antibruit. Pour votre sécurité, soyez prudents dans la réalisation de votre travail et faites attention à votre outil.

## INFORMATIONS GENERALES

### 1.0 OBJECTIF DE LA NOTICE

Cette notice a été rédigée par le constructeur et fait partie des accessoires de l'outil.

Les informations contenues dans la notice s'adressent aux opérateurs professionnels.

Dans cette notice vous trouverez les raisons qui ont déterminé la construction de l'outil et les informations nécessaires pour en garantir une utilisation sûre et correcte: avant de procéder à toute intervention de réglage, d'utilisation ou d'entretien, veuillez consulter avec attention la présente notice.

Une vigilente et constante observation des normes qu'elle contient est garantie de sécurité pour l'utilisateur et pour la machine, d'économie d'exercice et de prolongement de la

durée de fonctionnement de l'outil.

Les photos et les croquis servent d'exemple: le constructeur se réserve le droit d'apporter toute modification ou mise à jour au produit, sans aucun préavis.

### 1.1 IDENTIFICATION DE L'OUTIL

Le label logotype situé sur le côté gauche de l'outil identifie le modèle. Le label données situé sur le côté droit de l'outil porte les références du modèle et les données techniques du moteur et de son constructeur.

#### 1.1.1 IDENTIFICATION

A PLAQUETTE LOGOTYPE

B PLAQUETTE DONNEES

C POIGNEE PRINCIPALE

D INTERRUPTEUR

E BOUTON DE BLOCAGE DE L'INTERRUPTEUR

F POIGNEE SUPPLEMENTAIRE

G BASE (plateau)

H ASPIRATION

I PINCES DE FIXAGE PAPIER ABRASIF

#### 1.2 FABRICANT - IDENTIFICATION

Puissance Interskol Outils S.L.

Carretera de Sant Joan de les Abadesses s/n17500 RIPOL, (Gérone), ESPAGNE

Tél +34972700200 - Fax +34972700554 E-mail: e-mail: felisatti@interskol.es

#### 1.2 FABRICANT - IDENTIFICATION

Puissance Interskol Outils S.L.

Carretera de Sant Joan de les Abadesses s/n17500 RIPOL, (Gérone), ESPAGNE

Tél +34972700200 - Fax +34972700554

E-mail: e-mail: felisatti@interskol.es

## NORMES GENERALES POUR LA SECURITE

ATTENTION! Lire toutes les instructions. Ne pas se conformer à toutes les instructions énumérées ci-dessous

## F

peut donner lieu à des secousses électriques, des incendies et/ou des lésions sérieuses. Le terme «outil électrique» de tous les avertissement énumérés ci-dessous se réfère aux outils électriques actionnés au moyen d'un raccordement au réseau (par câble) ou actionnés par batterie (sans câble).

### CONSERVER CES INSTRUCTIONS

#### 1) ZONE DE TRAVAIL

a) Maintenir la zone de travail propre et bien éclairée. Les zones encombrées et sombres peuvent provoquer des accidents.

b) Ne pas actionner d'outils électriques dans des atmosphères explosives, par exemple en présence de liquides, gaz ou poudres inflammables. Les outils électriques créent des étincelles qui peuvent provoquer la mise à feu de poudre ou des fumées.

c) Maintenir les enfants et les passants à distance pendant l'actionnement d'un outil électrique. Les distractions peuvent faire perdre le contrôle de l'outil.

#### 2) SÉCURITÉ ÉLECTRIQUE

a) La fiche de l'outil électrique doit correspondre à la prise. Ne jamais modifier la fiche en aucune façon. Ne pas utiliser de fiches adaptatrices avec des outils électriques dotés de mise à la terre (à la masse). Des fiches non modifiées et des prises correspondantes réduisent le risque de secousse électrique.

b) Éviter le contact du corps avec les surfaces mises à la terre ou à la masse tels que tubes, radiateurs, cuisines et réfrigérateurs. Si le corps est en terre ou à la masse, le risque de secousse électrique augmente.

c) Ne pas exposer les outils électriques à la pluie et ne pas les utiliser dans des endroits humides. L'entrée d'eau dans un outil électrique augmente le risque de secousse électrique.

d) Ne pas maltraiter le câble. Ne jamais utiliser le câble pour transporter, tirer ou débrancher de la prise de réseau l'outil électrique. Maintenir le câble à distance de la chaleur, de l'huile, de bords coupants ou de pièces en mouvements. Des câbles endommagés ou entortillés augmentent le risque de secousse électrique.

e) Quand on actionne un outil électrique à l'extérieur, utiliser un câble d'extension adapté à l'utilisation en extérieur. L'utilisation d'un câble adapté réduit le risque de secousse électrique.

#### 3) SÉCURITÉ PERSONNELLE

a) Ne jamais se distraire, contrôler ce qu'on est en train de faire et faire preuve de bon sens quand on actionne des outils électriques. Ne pas actionner l'outil quand on est fatigué ou sous l'influence de drogues, d'alcool ou de médicaments. Un moment de distraction pendant l'actionnement d'outils électriques peut donner lieu à de sérieuses lésions personnelles.

b) Utiliser des équipements de sécurité. Toujours porter des protections pour les yeux. L'utilisation appropriée d'équipements de sécurité tels que masques anti-poussières, chaussures de sécurité antidérapantes, casque de sécurité, ou de protections pour les oreilles réduit la possibilité de subir des lésions personnelles.

c) Éviter les mises en marche accidentelles. S'assurer que l'interrupteur est en position Off avant de le raccorder au réseau électrique. Transporter les outils électriques avec le doigt sur l'interrupteur ou les raccorder au réseau avec l'interrupteur en position On peut provoquer des accidents.

d) Enlever toute clé de réglage avant d'allumer l'outil électrique. Une clé laissée fixée à une partie pivotante de l'outil électrique peut provoquer des lésions personnelles.

e) Ne pas se déséquilibrer. Toujours conserver une position et un équilibre appropriés. Ceci permet de mieux contrôler l'outil électrique dans des situations imprévues.

f) S'habiller de façon appropriée. Ne pas porter de vêtements larges ou des bijoux. Garder les cheveux, les vêtements et les gants éloignés des parties en mouvement. Les vêtements larges, les bijoux ou les cheveux longs peuvent se prendre dans les parties en mouvement.

g) S'il est prévu de raccorder à l'installation des dispositifs pour l'extraction et la récolte de poussière, s'assurer qu'ils soient raccordés et utilisés de façon appropriée. L'utilisation de ces dispositifs peut réduire les risques liés à la poussière.

#### 4) UTILISATION ET ENTRETIEN DES OUTILS ÉLECTRIQUES

a) Ne pas forcer l'outil électrique. Utiliser l'outil électrique adapté à l'opération à effectuer. L'outil électrique approprié permet d'effectuer le travail avec une plus grande efficacité et une plus grande sécurité sans être contraint de dépasser les paramètres d'utilisation prévus.

b) Ne pas utiliser l'outil électrique si l'interrupteur de mise en marche et d'extinction ne s'actionne pas correctement. Tout outil électrique qui ne peut pas être contrôlé par l'interrupteur est dangereux et doit être soumis à des réparations.

c) Déconnecter la fiche du réseau d'alimentation avant d'effectuer tout réglage, changer les accessoires ou ranger les outils électriques. Ces mesures de sécurité préventive réduisent le risque de mise en route accidentelle de l'outil électrique.

d) Ranger les outils électriques inutilisés hors de portée des enfants et ne pas en permettre l'utilisation à des personnes inexpérimentées ou qui ne connaissent pas ces instructions. Les outils électriques sont dangereux s'ils sont utilisés par des personnes inexpérimentées.

e) Effectuer l'entretien nécessaire sur les outils électriques. Vérifier le possible mauvais alignement ou le blocage des parties en mouvement, la cassure des pièces ou tout autre condition qui pourrait influencer le fonctionnement des outils électriques. S'il est endommagé, faire réparer l'outil électrique avant de l'utiliser. De nombreux accidents sont justement provoqués par le mauvais état d'entretien des outils électriques.

f) Conserver propres et aiguisés les outils de découpage. Des outils de découpage en bon état d'entretien et avec des bords de découpage aiguisés risquent les blocages avec une moindre probabilité et sont plus faciles à contrôler.

g) Utiliser l'outil électrique, les accessoires et les pointes etc., en se conformant avec ces instructions et à la façon prévue pour le type particulier d'outil électrique, en tenant compte des conditions de travail et de l'opération à effectuer. L'utilisation de l'outil électrique pour des opérations différentes de celles prévues peut donner lieu à des situations dangereuses.

#### 5) ASSISTANCE

a) Faire réparer l'outil électrique uniquement par des techniciens qualifiés et utiliser uniquement des pièces de rechange identiques.

Ceci garantit la sécurité constante de l'outil électrique.

## INSTALLATION

### 1.1 EMBALLAGE

Au moment de l'achat, l'outil complet d'accessoires et de notice technique est fourni dans un emballage en carton (ou dans une mallette en métal) de dimensions et d'épaisseur adéquates à l'utilisation pour laquelle ces outils ont été prévus. Prenez en soin, il vous servira pour votre travail.

### 1.2 INSTALLATION

Les conditions du milieu, la température, l'humidité, l'éclairage, un emplacement correct et une bonne hygiène de la zone de travail sont des paramètres importants pour votre sécurité personnelle et le rendement de l'outil lui-

même. Tenez-en compte, vous travaillerez mieux et plus en sécurité.

### 1.3 BRANCHEMENT ELECTRIQUE

Avant de brancher l'outil sur le réseau d'alimentation ou sur le transformateur d'isolation, s'assurer qu'il est conforme aux normes en vigueur dans le pays d'utilisation et que son voltage et sa fréquence correspondent aux indications de la plaque du constructeur. Pour l'utilisation de rallonges, s'assurer que la section des câbles est adaptée à leur longueur. Si l'on utilise des rallonges enroulables, s'assurer que la rallonge est

#### ATTENTION

**L'interrupteur de ces outils est équipé d'un système de blocage qui permet de travailler pendant de longues périodes sans qu'il y ait nécessité de le maintenir sous pression.**

**Avant d'insérer la fiche dans la prise de courant contrôler que le système de blocage de l'interrupteur soit déclenché. Si vous n'utilisez pas l'outil pendant une certaine période de temps rappelez-vous de toujours déclencher le système de blocage.**

### 1.4 POSTE DE TRAVAIL

L'outil que vous venez d'acheter est un outil électrique portable.

Compte-tenu de sa conformation, son poids et sa maniabilité, il est indiqué pour un seul utilisateur. Dans les conditions d'utilisation normale, l'opérateur tient fermement l'outil par les deux poignées.

Attention, garder toujours les mains loin du plateau.

## REGLAGE

L'outil fourni par le fabricant est conforme à des paramètres standards.

## FUNCTIONNEMENT ET UTILISATION

### 1.1 CONSTANT ELECTRONIC

La version TPF115/350VE est équipée d'un circuit électronique qui permet de maintenir le nombre de tours moteur constant quel que soit le type d'usinage, pour vous permettre de réaliser votre travail dans les meilleures conditions possibles.

### 1.2 UTILISATIONS

Grâce au nombre de tours moteur et à l'effet du constant electronic, la version TPF115/350VE est particulièrement indiquée pour le ponçage des surfaces métalliques et pour les travaux de carrosserie.

### 1.3 MISE EN SERVICE ET MODE D'EMPLOI

La machine est fournie prête à l'emploi: il suffit d'alimenter le plateau avec du papier abrasif.

On peut utiliser des feuilles déjà percées, ou bien percer des feuilles normales avec le perce-papier en dotation (pour les modèles AS, avec aspiration des copeaux). Pour le fixation du papier abrasif, procéder comme suit (fig. 2-3):

- 1) Ouvrir une pince et introduire la feuille de papier abrasif dans la bonne position.
- 2) Tendre la feuille de papier abrasif sur la base de l'outil.
- 3) Ouvrir la seconde pince et introduire l'autre extrémité du papier abrasif.

S'assurer que la feuille soit bien fixée et recouvre toute la base de l'outil.

**ATTENTION - En appuyant davantage sur la poignée, on n'augmente pas forcément la vitesse du ponçage, mais on risque de provoquer une surcharge du moteur avec pour conséquence une baisse de rendement.**

### 1.4 PAPIER ABRASIF

N'utiliser que du papier abrasif de qualité pour améliorer les performances de la machine et réduire les temps de travail. Pour les opérations de dégrossissage qui exigent l'élimination d'une grosse quantité de matières, utiliser de préférence des feuilles gros grain 40 - 60 - 80. Pour les finitions, utiliser des feuilles avec grain de 150 à 320.

### 1.5 ASPIRATION DES COPEAUX (FIG. 2-3)

Pour que la zone de travail reste propre et pour éviter de travailler dans la poussière, il est possible d'utiliser les aspirateurs Felisatti AS22 et AS35/E.

Le modèle AS35/E se commande à distance par l'interrupteur de l'outil électrique auquel il est branché, par simple introduction de la fiche de l'outil dans la prise située sur l'aspirateur, pour éviter toute perte de temps et d'énergie.

Les aspirateurs Felisatti s'adaptent aussi à ces outils.

### 1.6 UTILISATION INCORRECTE

L'outil que vous venez d'acheter est indiqué pour les seules fonctions mentionnées dans cette notice.

Tout autre type de d'utilisation est strictement interdit.

### 1.7

**ATTENTION!** - Le contact ou l'inhalation des poussières de travail peuvent être dangereux pour l'opérateur ou pour ceux qui se trouvent à proximité!

Il faut une attention particulière dans le polissage du bois ou de surfaces peintes avec des peintures au plomb à cause des poussières dangereuses qui sont produites. L'utilisation de lunettes de protection et de masques anti-poussières est conseillée.

## ENTRETIEN

Un contrôle régulier réduira le besoin d'entretien et maintiendra votre outil en bonnes conditions de travail: les coussinets sont graissés pour la durée de vie de l'outil. Pendant l'utilisation, le moteur doit toujours être bien ventilé. Eviter donc de poser les mains sur les orifices de la ventilation. Après chaque utilisation, débrancher l'outil et bien le nettoyer.

### 1.1 ECOULEMENT

A la fin de la vie de la machine, ou quand elle ne peut pas être réparée, s'assurer de l'écouler selon les normes en vigueur dans le pays où elle est utilisée, et toujours par personnel spécialisé et autorisé pour ce but.

En tout cas:

- Ne disperser pas dans le milieu;
- Ne mettre pas en commun avec les ordures solides;
- S'adresser aux centres spéciales de recyclage.

## REMPLACEMENT DES PIECES

**ATTENTION** - Avant d'effectuer tout remplacement de pièce, débrancher d'abord l'outil de la prise de courant.

### 1.1 BROSSES

Remplacer les brosses au bout de 150-200 heures de travail environ ou lorsque leur longueur est inférieure à 5-6 mm.

**ATTENTION - Pour un bon fonctionnement de l'outil, remplacer toujours les brosses par couple et non pas individuellement.**

Utiliser exclusivement des brosses Felisatti.

Attention - Pour effectuer cette opération, s'adresser à un service d'assistance technique autorisé.

**ATTENTION - Après le montage des brosses neuves, faire fonctionner le moteur à vide pendant au moins 5 minutes.**

### 1.2 REMPLACEMENT DU CABLE D'ALIMENTATION

Contrôler les conditions du câble électrique: si nécessaire, le faire remplacer par un service d'assistance technique



**Ne pas jeter les outils  
électriques dans les ordures  
ménagères !**

Conformément à la directive européenne 2002/96/CE relative aux appareils électriques et électroniques usagés et sa version nationale, les outils électriques doivent être collectés séparément et recyclés de manière écophile.



## DÉCLARATION DE CONFORMITÉ

DÉCLARATION DE CONFORMITÉ  
Nous déclarons sous notre seule responsabilité que les produits FELISATTI décrits dans ce manuel sont conformes à la Norme EN 60745, à la directive machine 98/37/CE et modifications, aux 2006/95/CE et 93/68/CEE et, en ce qui concerne le compatibilité électromagnétique, à la directive 89/336/CEE, aux Normes EN 55014.1, EN 55014.2, EN 61000.3.2, EN 61000.3.3 et EN 50366.

Jordi Carbonell

Santiago Lopes

## ISTRUZIONI PER L'USO PER LEVIGATRICI ORBITALI INTRODUZIONE

Tutti gli utensili portatili FELISATTI sono conformi alla Norma EN 60745, alla direttiva macchine 98/37/CE e successive modifiche, alle 2006/95/CE e 93/68/CEE e, per ciò che attiene alla compatibilità elettromagnetica, alla direttiva 89/336/CEE, alle Norme EN 55014.1, EN 55014.2, EN 61000.3.2, EN 61000.3.3 e EN 50366.

**CE** Il Marchio apposto sull'utensile ne garantisce la conformità.

Se utilizzato con cura e sottoposto a regolare manutenzione Vi durerà a lungo.

Seguite attentamente le istruzioni contenute in questo manuale, tenetelo con cura ed a portata di mano per gli eventuali controlli degli organi preposti.

ripristino delle condizioni di lavoro in questi casi si rende necessario l'intervento dell'operatore. Motore asincrono di elevata potenza e rendimento, silenzioso ad ogni regime. La macchina è provvista di freno motore, per consentire alla lama di arrestarsi entro i dieci secondi dal rilascio del pulsante dell'interruttore.

## CARATTERISTICHE TECNICHE

### 2.1 DATI TECNICI

MODELLO		TPF115/350	TPF115/350VE
Tensione e Corrente	V / A	230V-1,6A	230V-2,4A
Frequenza	Hz	50-60	
Potenza Assorbita	W	300	350
Velocità a vuoto	/min	10000	6500
Velocità a carico	/min	6000	6000
Oscillazioni a vuoto al minuto	/min	20000	13000
Orbita	mm	2	4,5
Dimensioni platorello	mm	115x210	115x210
Peso	kg	2,9	2,9
Pressione sonora emessa	Lpa dB(A).(*)	75	70,4
Potenza sonora emessa	Lwa dB(A).(*)	86	83,4
Livello di vibrazioni m/s <sup>2</sup> (*)	mm	4,3	4,9

\* Rilievi eseguiti secondo le norme: EN60745.1 - EN60745.2.4

### 1.2 DOTAZIONE STANDARD

TPF115/350VE - TPF115/350: Raccordo tubo aspiratore. La dotazione di serie può variare a seconda della versione acquistata e della campagna commerciale in atto.

### 1.3 ACCESSORI A RICHIESTA

Carta abrasiva, foracarta, aspiratore, kit per spiratore (solo per versioni predisposte per l'aspirazione).

### 1.4 DISPOSITIVI PER LA SICUREZZA

L'utensile è stato progettato e costruito per permettervi di operare in tutte le situazioni in assoluta sicurezza, pur tuttavia in particolari condizioni di lavoro ricordate di adoperare adeguati guanti da lavoro ed occhiali protettivi.

L'utensile è stato progettato e costruito per ridurre al minimo le emissioni di rumore (vedi dati tecnici al 1.1), pur tuttavia in particolari condizioni il livello sonoro massimo sul posto di lavoro potrebbe essere superiore a 85 dBA e quindi dannoso alla salute e all'udito. In questo caso l'operatore deve proteggersi dal rumore eccessivo mediante l'utilizzo di una cuffia.

Siate prudenti nell'affrontare il vostro lavoro e tenete in ordine il vostro utensile ne va della vostra sicurezza.

## NORME GENERALI PER LA SICUREZZA

**ACHTUNG!** Es sind alle Anweisungen zu lesen. Bei Nichtbeachtung nachstehender Anweisungen kann es zu Stromschlägen, Bränden und/oder schweren Verletzungen kommen. Der Begriff „Elektrowerkzeug“ in allen untenstehenden Hinweisen bezieht sich auf die netz- (mit Kabel) oder batteriebetriebenen (drahtlos) Elektrowerkzeuge.

**DIESE ANWEISUNGEN AUFBEWAHREN!**

### 1) ARBEITSBEREICH

a) Arbeitsbereich sauber halten und gut ausleuchten. Versperrte und dunkle Bereiche können zu Unfällen führen.

b) Bei Explosionsgefahr, z.B. in unmittelbarer Nähe von Flüssigkeiten, Gas oder brennbarem Pulver, dürfen Elektrowerkzeuge nicht verwendet werden. Die nämlich dadurch entstehenden Funken können Pulver oder Rauch entzünden.

c) Kinder und Passanten bei Benutzen des Elektrowerkzeugs fernhalten. Bei Ablenkung kann die Kontrolle des Elektrowerkzeugs verloren gehen.

### 2) ELEKTROSICHERHEIT

a) Der Stecker des Elektrowerkzeugs sollte zur Stromdose passen. Stecker in keinem Fall ändern. Es sollten keine Steckeradapter bei geerdeten Elektrowerkzeugen verwendet werden. Bei nicht modifizierten Steckern und entsprechenden Stromdosen verringert sich die Stromschlaggefahr.

b) Körperkontakt mit geerdeten Oberflächen, wie Rohren, Heizkörpern, Wohnküchen und Kühlschränken vermeiden! Wenn der Körper die Erdung oder Masse berührt, ist die Stromschlaggefahr größer.

c) Elektrowerze dürfen nicht dem Regen ausgesetzt werden und in feuchten Lokalen eingesetzt werden. Bei Durchtreten von Wasser in ein Elektrowerkzeug wächst die Stromschlaggefahr.

d) Kabel nicht mißhandeln. Zum Tragen, Schleppen oder Herausziehen des Elektrowerkzeugs aus der Stromdose in keinem Fall das Kabel verwenden! Kabel von Wärmequellen, Öl, spitzen Kanten oder Bewegteilen entfernt halten. Beschädigte oder verdrehte Kabel erhöhen das Stromschlagrisiko.

e) Bei Verwenden eines Elektrowerkzeugs im Freien sollte ein passend langes Kabel für den Einsatz im Freien verwendet werden. Der Einsatz eines passenden Kabels mindert das



# I

Stromschlagrisiko.

## 3) PERSÖNLICHE SICHERHEIT

a) Sich niemals ablenken lassen. Immer die Arbeit beaufsichtigen und aufmerksam vorgehen. Bei auftretender Müdigkeit und nach Einnahme von Drogen, Spirituosen oder Medikamenten das Elektrowerkzeug nicht betätigen. Die kleinste Zerstreung beim Einsatz von Elektrowerkzeugen kann zu ernststen Verletzungen führen.

b) Sicherheitsausrüstung verwenden! Stetseinen Augenschutz tragen! Der Einsatz passender Sicherheitsausrüstungen, wie Staubmasken, rutsch-festen Sicherheitsschuhen, Sicherheitshelmen oder Ohrenschutzhörnern vermindert die Verletzungsgefahr.

c) Ungewollte Entzündungen vermeiden. Sich vergewissern, daß der Schalter auf AUS steht, bevor er an das Stromnetz angeschlossen wird. Das Tragen der Elektrowerkzeuge mit dem Finger am Schalter oder das Verbinden derselben mit dem Stromnetz in eingeschalteter Stellung kann zu Unfällen führen.

d) Einstellschlüssel vor Einschalten des Elektrowerkzeugs entfernen! Sollte ein Schlüssel an einem Drehteil des Elektrowerkzeugs verbleiben, so kann dies zu Verletzungen führen.

e) Gleichgewicht behalten! Position und Gleichgewicht beibehalten. Dadurch läßt sich das Elektrowerkzeug bei unvorgesehenen Situationen besser kontrollieren.

f) Passende Kleidung tragen! Niemals weite Kleidung oder Schmuck tragen. Haare, Kleidung und Handschuh von Bewegteilen fernhalten. Weite Kleider, Schmuck oder Haare können sich an den Bewegteilen verfangen.

g) Sollten Vorrichtungen zum Entfernen und Sammeln von Staub vorgesehen sein, die anzuschließen sind, sich vergewissern, daß diese sachgerecht verbunden und eingesetzt werden. Diese Maßnahme kann die Risiken mindern, die mit dem Staub verbunden sind.

## 4) EINSATZ UND WARTUNG VON ELEKTROWERKZEUGEN.

a) Das Elektrowerkzeug nicht forcieren. Ein Elektrowerkzeug verwenden, das der durchzuführenden Arbeit entspricht. Bei passendem Elektrowerkzeug läßt sich die Arbeit effizienter und sicherer durchführen, ohne die vorgesehenen Projektparameter überziehen zu müssen.

b) Bei nicht korrekt funktionierendem Ein- und Ausschalter das Elektrowerkzeug nicht verwenden.

Jedes Elektrowerkzeug, das nicht kontrolliert werden kann und dessen Schalter gefährlich ist, sollte repariert werden.

c) Vor Durchführen von Einstellungen, Auswechseln von Zubehör und Verstauen von Elektrowerkzeugen stets den Stecker vom Stromnetz entfernen. Diese Sicherheitsmaßnahmen vermindern das Risiko eines ungewollten Starts des Elektrowerkzeugs.

d) Unbenutzte Elektrowerkzeuge unzugänglich für Kinder aufbewahren. Unerfahrene Personen und solche, die keine Kenntnis dieser Anweisungen haben, dürfen keinen Zugang zu den Elektrowerkzeugen haben. Elektrowerkzeuge sind gefährlich, wenn sie von unerfahrenen Personen benutzt werden.

e) Elektrowerkzeuge warten! Nachprüfen, ob Elektrowerkzeuge einwandfrei fluchten oder ob sie klemmen bzw. auf mögliche Brüche oder sonstigen Zustände achten, die die Funktion der Elektrowerkzeuge beeinträchtigen können. Bei Beschädigungen ist das Werkzeug vor dem Gebrauch zu reparieren! Viele Unfälle sind gerade vom schlechten Wartungszustand der Elektrowerkzeuge bedingt.

f) Schneidegeräte sauber und scharf halten. Schneidegeräte in gutem Wartungszustand und mit geschärften Kanten klemmen seltener und sind leicht zu kontrollieren.

g) Elektrowerkzeuge, Zubehör, Bits etc. im Sinne dieser Anweisungen bzw. der für das jeweilige Werkzeug vorgesehenen Vorschriften behandeln, wobei die Arbeitsbedingungen und die vorgesehenen Arbeiten mitzuberücksichtigen sind. Der Einsatz von Elektrowerkzeugen für zweckfremde Arbeiten können zu gefährlichen Situationen führen.

## 5) KUNDENDIENST

a) Elektrowerkzeug nur von fachkundigen Technikern reparieren lassen. Dabei sollten stets nur identische Ersatzteile eingesetzt werden. Nur so ist eine dauerhafte Sicherheit des Elektrowerkzeugs gewährleistet.

## INSTALLATION

Das erworbene Gerät, komplett mit Zubehör und Bedienungsanleitung wird im Karton (oder Metallkoffer) von geeigneten Abmessungen und Dicke geliefert, der zur Aufbewahrung vorgesehen ist.

### 1.2 INSTALLATION

Umweltbedingungen, Temperatur, Feuchtigkeit, Beleuchtung, sowie die korrekte Arbeitsposition Ihres Werkzeugs und die Reinhaltung des Arbeitsplatzes sind wichtige Faktoren für die persönliche Sicherheit und die Leistungsfähigkeit der Maschine. Wenn Sie diese Bedingungen berücksichtigen, erleichtern sie sich die Arbeit und haben größere Sicherheit.

### 1.3 ANSCHLUSS AN DAS STROMNETZ

Bevor das Werkzeug an das Stromnetz oder an den Isoliertransformator angeschlossen wird, muß festgestellt werden, ob es den geltenden Vorschriften im Anwenderland entspricht und ob Stromspannung und -frequenz mit den Angaben auf dem Datenschild übereinstimmen.

Bei der Verwendung von Verlängerungskabeln ist zu überprüfen, ob die Kabel über einen zur Länge ausreichend bemessenen Querschnitt verfügen. Beim Einsatz von aufrollbaren Verlängerungskabeln muß überprüft werden, ob das Kabel vollständig abgerollt ist, um Überhitzungen des Kabels zu vermeiden.

### ACHTUNG

**Der Betriebsschalter dieser Maschinen besitzt eine Sperrtaste, um bei längerem Einsatz nicht ständig auf die Taste drücken zu müssen. Vor Einstecken des Steckers in die Steckdose sicherstellen, daß die Sperrtaste nicht eingeschaltet ist.**

### ACHTUNG

**Wenn die Maschine für längere Zeit nicht benützt wird, die Sperrtaste immer außer Betrieb halten.**

### 1.4 ARBEITSPLATZ

Das von Ihnen erworbene Gerät ist ein elektrisches Handwerkzeug. Durch seinen Bau, Gewicht und Handlichkeit ist für dessen Einsatz nur ein Bediener vorgesehen. Der Bediener muß die Maschine mit beiden Händen an den entsprechenden Griffen festhalten.

**ACHTUNG - Mit den Händen nicht in die Nähe der Schleifplatte gelangen.**

## EINSTELLUNG

Bei Lieferung ist die Maschine bereits vom Hersteller nach Standardkenngrößen fabriksmäßig eingestellt.

## FUNKTION UND GEBRAUCH

### 1.1 Constant Electronic

Die Modelle TPF115/350VE besitzen einen elektro-nischen Drehzahlregler, der bei jeder beliebigen Arbeitsbedingung die Motordrehzahl konstant hält. Dadurch werden stets die

besten Arbeitsbedingungen garantiert.

#### 1.2 EINSATZARTEN

Die Modelle TPF115/350VE eignen sich aufgrund ihrer Drehzahl und der Constant Electronic ganz besonders zum Schleifen von Metallkitt und zum Einsatz bei Karosseriearbeiten.

#### 1.3 INBETRIEBNAHME UND GEBRAUCH

Die Maschine ist bei Lieferung einsatzbereit, es ist lediglich das Schleifpapier auf der Schleifplatte anzubringen. Es kann vorgelochtes Schleifpapier verwendet werden oder normales Schleifpapier, das mit dem beiliegenden Locher (bei den Modellen AS mit Spanabsaugung) gelocht werden muß. Zur Befestigung des Schleifpapiers, wie folgt vorgehen (Abb. 2-3):

- 1) Eine Greifzange öffnen und das Schleifpapier richtig positionieren.
- 2) Das Schleifpapier auf der Werkzeugplatte spannen.
- 3) Die zweite Greifzange öffnen und die andere Seite des Schleifpapiers einführen. Vergewissern Sie sich, daß das Blatt gut gespannt ist und die ganze Werkzeugplatte abdeckt.

**ACHTUNG - Ein erhöhter Druck auf den Griff bedeutet nicht unbedingt auch erhöhte Schleifgeschwindigkeit, im Gegenteil, es kann eine Überbelastung des Motors mit folglich geringerer Leistungsfähigkeit hervorgerufen werden.**

#### 1.4 SCHLEIFPAPIER

Achten Sie darauf, nur Qualitätspapier einzusetzen: die Leistungen der Maschine werden verbessert und die Arbeitszeiten verkürzt.

Für Grobschleifen mit viel Materialabfall grobes Schleifpapier mit Körnung 40 - 60 - 80 einsetzen.

Für Feinschleifen Papier mit Körnung 150 bis 320 einsetzen.

#### 1.5 SPANABSAUGUNG (Abb. 2-3)

Zur Reinhaltung des Arbeitsplatzes und für ein staubfreies Arbeiten stehen die Absauger Felisatti AS22 und AS35/E zur Verfügung.

Modell AS35/E wird durch den Betriebsschalter des Elektrowerkzeuges ferngeschaltet. Der Betriebsschalter der Maschine wird durch einfaches Einstecken des Netzsteckers in die Steckdose auf dem Absauger verbunden, wodurch viel Zeit und Energie gespart wird.

#### 1.6 UNSÄCHGEM ÄSSER EINSATZ

Das von Ihnen erworbene Gerät darf ausschließlich zu den in der vorliegenden Betriebsanleitung angeführten Funktionen eingesetzt werden.

Jeder andere Einsatz der Maschine ist verboten.

#### 1.7

#### ACHTUNG!

**Das Berühren oder Einatmen vom Arbeitsstaub kann für Bediener und Umstehende gefährlich sein!**

Beim Polieren von Holzteilen und von mit bleihaltigen Farben lackierten Oberflächen ist besonders aufzupassen aufgrund gefährlicher Staubentwicklung. Der Gebrauch von Schutzbrillen und Staubmasken wird empfohlen.



**Non introdurre attrezzi elettrici nei rifiuti di casa!**

Secondo la normativa europea 2002/96/CE in riferimento agli apparecchi elettrici ed elettronici e le leggi nazionali, gli apparecchi elettrici usurati devono essere raccolti separatamente e portati al riciclaggio, rispettando le norme ambientali.



#### DICHIARAZIONE DI CONFORMITÀ

Dichiariamo sotto la nostra esclusiva responsabilità che i prodotti marca FELISATTI descritti in questo manuale sono conformi ai requisiti alla Norma EN 60745, alla direttiva macchine 98/37/CE e successive modifiche, alle 2006/95/CE e 93/68/CEE e, per ciò che attiene alla compatibilità elettromagnetica, alla direttiva 89/336/CEE, alle Norme EN 55014.1, EN 55014.2, EN 61000.3.2, EN 61000.3.3 e EN 50366.

Jordi Carbonell

Santiago Lopes

Riservato il diritto di apportare modifiche tecniche 06/2011

**D****BETRIEBSANLEITUNG FÜR DEN VIBRATIONSSCHLEIFER EINLEITUNG**

Alle tragbaren Werkzeuge von FELISATTI entsprechen der EN-Norm 60745, der CE-Maschinenrichtlinie 98/37 und anschließenden Änderungen, 2006/95/CE und 93/68/ EWG und, was die Vorschriften zur elektromagnetischen Verträglichkeit betrifft, der EG-Richtlinie 89/336, den Normen EN 55014.1, EN 55014.2, EN 61000.3.2, EN 61000.3.3 und EN 50366.

**CE** Das Warenzeichen auf dem Werkzeug garantiert diese Konformität.

Eine umsichtige Verwendung und regelmäßige Wartung gewährleisten Ihnen eine lange Funktionstüchtigkeit des Werkzeuges. Folgen Sie aufmerksam den vorliegenden Bedienungsanleitungen, bewahren Sie dieses Heft sorgfältig und in greifbarer Nähe auf. Es wird Ihnen bei der Kontrolle der der Maschinenteile behilflich sein.

**TECHNISCHE EIGENSCHAFTEN****1.1 TECHNISCHE DATEN**

MODELL		TPF115/350	TPF115/350VE
Spannung und Strom	V / A	230V-1,6A	230V-2,4A
Frequenz	Hz	50-60	
Leistungsaufnahme	W	300	350
Drehzahl Leerlauf	/min	10000	6500
Drehzahl Lastlauf	/min	6000	6000
Leerlaufschwingungen	/min	20000	13000
Umlauf	mm	2	4,5
Ausmaße Schleifplatte	mm	115x210	115x210
Gewicht	kg	2,9	2,9
Geräuschdruck	Lpa dB(A).(*)	75	70,4
Geräuschpegel Lwa dB(*)	Lwa dB(A).(*)	86	83,4
Schwingungspegel m/s <sup>2</sup> (*)	mm	4,3	4,9

\* Messungen nach den Normen: EN60745.1 - EN60745.2.4

**1.2 LIEFERUMFANG**

TPF115/350VE - TPF115/350: Absaugerschlauch

Der serienmäßige Lieferumfang kann je nach erworbenem Modell und entsprechend der aktuellen Verkaufsaktion variieren.

**1.3 ZUBEHÖR AUF WUNSCH**

Schleifpapier, Papierlocher, Absauger, Absaugerbausatz (nur für Versionen, die für eine Absaugung angelegt sind).

**1.4 SICHERHEITSEINRICHTUNGEN**

Die Maschine ist mit besonderem Augenmerk für die maximale Sicherheit in allen Arbeitssituationen erdacht und gebaut. Die Verwendung von Arbeitshandschuhen und Schutzbrillen ist jedoch in jedem Fall erforderlich.

Die Geräuschentwicklung wurde minimal gehalten (siehe Tabelle techn. Daten 1.1), die jedoch unter bestimmten Arbeitsbedingungen 85 dBA übersteigen kann. In diesem Fall muß sich der Bediener durch einen Ohrenschutz vor zu großer Lärmbelastung schützen.

Wir empfehlen im Interesse Ihrer Sicherheit, umsichtig zu arbeiten und das Gerät sorgfältig aufzubewahren.

**ALLGEMEINE HINWEISE****1.0 ZWECK DIESES HANDBUCHES**

Das vorliegende Handbuch wurde vom Hersteller erstellt und ist Bestandteil des Lieferumfangs der Maschine.

Die darin enthaltenen Hinweise sind an den fachmännischen Arbeiter gerichtet.

Das Handbuch definiert den Einsatzbereich der Maschine und enthält alle, für einen sicheren und korrekten Betrieb erforderlichen Hinweise; diese Anleitungen sind daher vor jeglichem Eingriff für Einstellung, Gebrauch oder Wartung sorgfältig durchzulesen.

Das generelle Einhalten der vorliegenden Hinweise garantieren die Sicherheit für Personen und Maschine, die

Wirtschaftlichkeit beim Einsatz und eine lange Haltbarkeit der Maschine selbst.

Abbildungen und Zeichnungen dienen als Beispiele; Der Hersteller behält sich im Rahmen seiner konstanten Entwicklung und Erneuerung des Produkts, jederzeit das Recht vor, ohne Voranmeldung Änderungen anzubringen.

**1.1 IDENTIFIKATION DER MASCHINE**

Das Schild mit dem Logo auf der linken Seite der Maschine gibt das Modell an, das Typenschild auf der rechten Seite gibt die Bezugsdaten der Maschine und die technischen Daten von Motor und Hersteller an.

**1.1.1 IDENTIFIKATION**

A LOGOTYPE

B DATENSCHILD

C HAUPTGRIFF

D BETRIEBSSCHALTER

E SPERRTASTE DAUERBETRIEB

F SEITENGRIFF

G GRUNDPLATTE (Schleifplatte)

H SAUGSTUTZEN

I SPANNZANGE SCHLEIFPAPIERO

1.2 HERSTELLER - IDENTIFIKATION

Interskol Power Tools S.L.

Carretera de Sant Joan de les Abadeses

s/n17500 RIPOL, (Girona), SPANIEN

Tel. +34972700200 - Fax +34972700554

E-mail: e-mail: felisatti@interskol.es

**ALLGEMEINE ICHERHEITSVORSCHRIFTEN**

**ACHTUNG!** Es sind alle Anweisungen zu lesen. Bei Nichtbeachtung nachstehender Anweisungen kann es zu Stromschlägen, Bränden und/oder schweren Verletzungen kommen. Der Begriff „Elektrowerkzeug“ in allen untenstehenden Hinweisen bezieht sich auf die

**netz- (mit Kabel) oder batteriebetriebenen (drahtlos) Elektrowerkzeuge.****DIESE ANWEISUNGEN AUFBEWAHREN!****1) ARBEITSBEREICH**

- a) Arbeitsbereich sauber halten und gut ausleuchten. Versperre und dunkle Bereiche können zu Unfällen führen.
- b) Bei Explosionsgefahr, z.B. in unmittelbarer Nähe von Flüssigkeiten, Gas oder brennbarem Pulver, dürfen Elektrowerkzeuge nicht verwendet werden. Die nämlich dadurch entstehenden Funken können Pulver oder Rauch entzünden.
- c) Kinder und Passanten bei Benutzen des Elektrowerkzeugs fernhalten. Bei Ablenkung kann die Kontrolle des Elektrowerkzeugs verloren gehen.

**2) ELEKTROSICHERHEIT**

- a) Der Stecker des Elektrowerkzeugs sollte zur Stromdose passen. Stecker in keinem Fall ändern. Es sollten keine Steckeradapter bei geerdeten Elektrowerkzeugen verwendet werden. Bei nicht modifizierten Steckern und entsprechenden Stromdosen verringert sich die Stromschlaggefahr.
- b) Körperkontakt mit geerdeten Oberflächen, wie Rohren, Heizkörpern, Wohnküchen und Kühlschränken vermeiden! Wenn der Körper die Erdung oder Masse berührt, ist die Stromschlaggefahr größer.
- c) Elektrowerze dürfen nicht dem Regen ausgesetzt werden und in feuchten Lokalen eingesetzt werden. Bei Durchtreten von Wasser in ein Elektrowerkzeug wächst die Stromschlaggefahr.
- d) Kabel nicht mißhandeln. Zum Tragen, Schleppen oder Herausziehen des Elektrowerkzeugs aus der Stromdose in keinem Fall das Kabel verwenden! Kabel von Wärmequellen, Öl, spitzen Kanten oder Bewegteilen entfernt halten. Beschädigte und verdrehte Kabel erhöhen das Stromschlagrisiko.
- e) Bei Verwenden eines Elektrowerkzeugs im Freien sollte ein passend langes Kabel für den Einsatz im Freien verwendet werden. Der Einsatz eines passenden Kabels mindert das Stromschlagrisiko.

**3) PERSÖNLICHE SICHERHEIT**

- a) Sich niemals ablenken lassen. Immer die Arbeit beaufsichtigen und aufmerksam vorgehen. Bei auftretender Müdigkeit und nach Einnahme von Drogen, Spirituosen oder Medikamenten das Elektrowerkzeug nicht betätigen. Die kleinste Zerstreung beim Einsatz von Elektrowerkzeugen kann zu ernstesten Verletzungen führen.
- b) Sicherheitsausrüstung verwenden! Stetseinen Augenschutz tragen! Der Einsatz passender Sicherheitsausrüstungen, wie Staubmasken, rutsch-festen Sicherheitsschuhen, Sicherheitshelmen oder Ohrenschutzeinrichtungen vermindert die Verletzungsgefahr.
- c) Ungewollte Entzündungen vermeiden. Sich vergewissern, daß der Schalter auf AUS steht, bevor er an das Stromnetz angeschlossen wird. Das Tragen der Elektrowerkzeuge mit dem Finger am Schalter oder das Verbinden derselben mit dem Stromnetz in eingeschalteter Stellung kann zu Unfällen führen.
- d) Einstellschlüssel vor Einschalten des Elektrowerkzeugs entfernen! Sollte ein Schlüssel an einem Drehteil des Elektrowerkzeugs verbleiben, so kann dies zu Verletzungen führen.
- e) Gleichgewicht behalten! Position und Gleichgewicht beibehalten. Dadurch läßt sich das Elektrowerkzeug bei unvorgesehenen Situationen besser kontrollieren.
- f) Passende Kleidung tragen! Niemals weite Kleidung oder Schmuck tragen. Haare, Kleidung und Handschuh von Bewegteilen fernhalten. Weite Kleider, Schmuck oder Haare können sich an den Bewegteilen verfangen.

- g) Sollten Vorrichtungen zum Entfernen und Sammeln von Staub vorgesehen sein, die anzuschließen sind, sich vergewissern, daß diese sachgerecht verbunden und eingesetzt werden. Diese Maßnahme kann die Risiken mindern, die mit dem Staub verbunden sind.

**4) EINSATZ UND WARTUNG VON ELEKTROWERKZEUGEN.**

- a) Das Elektrowerkzeug nicht forcieren. Ein Elektrowerkzeug verwenden, das der durchzuführenden Arbeit entspricht. Bei passendem Elektrowerkzeug läßt sich die Arbeit effizienter und sicherer durchführen, ohne die vorgesehenen Projektparameter überziehen zu müssen.
- b) Bei nicht korrekt funktionierendem Ein- und Ausschalter das Elektrowerkzeug nicht verwenden. Jedes Elektrowerkzeug, das nicht kontrolliert werden kann und dessen Schalter gefährlich ist, sollte repariert werden.
- c) Vor Durchführen von Einstellungen, Auswechseln von Zubehör und Verstauen von Elektrowerkzeugen stets den Stecker vom Stromnetz entfernen. Diese Sicherheitsmaßnahmen vermindern das Risiko eines ungewollten Starts des Elektrowerkzeugs.
- d) Unbenutzte Elektrowerkzeuge unzugänglich für Kinder aufbewahren. Unerfahrene Personen und solche, die keine Kenntnis dieser Anweisungen haben, dürfen keinen Zugang zu den Elektrowerkzeugen haben. Elektrowerkzeuge sind gefährlich, wenn sie von unerfahrenen Personen benutzt werden.
- e) Elektrowerkzeuge warten! Nachprüfen, ob Elektrowerkzeuge einwandfrei fluchten oder ob sie klemmen bzw. auf mögliche Brüche oder sonstigen Zustände achten, die die Funktion der Elektrowerkzeuge beeinträchtigen können. Bei Beschädigungen ist das Werkzeug vor dem Gebrauch zu reparieren! Viele Unfälle sind gerade vom schlechten Wartungszustand der Elektrowerkzeuge bedingt.
- f) Schneidegeräte sauber und scharf halten. Schneidegeräte in gutem Wartungszustand und mit geschärften Kanten klemmen seltener und sind leicht zu kontrollieren.
- g) Elektrowerkzeuge, Zubehör, Bits etc. im Sinne dieser Anweisungen bzw. der für das jeweilige Werkzeug vorgesehenen Vorschriften behandeln, wobei die Arbeitsbedingungen und die vorgesehenen Arbeiten mitzubersichtigen sind. Der Einsatz von Elektrowerkzeugen für zweckfremde Arbeiten können zu gefährlichen Situation führen.

**5) KUNDENDIENST**

- a) Elektrowerkzeug nur von fachkundigen Technikern reparieren lassen. Dabei sollten stets nur identische Ersatzteile eingesetzt werden. Nur so ist eine dauerhafte Sicherheit des Elektrowerkzeugs gewährleistet.

**INSTALLATION****1.1 VERPACKUNG**

Das erworbene Gerät, komplett mit Zubehör und Bedienungsanleitung wird im Karton (oder Metallkoffer) von geeigneten Abmessungen und Dicke geliefert, der zur Aufbewahrung vorgesehen ist.

**1.2 INSTALLATION**

Umweltbedingungen, Temperatur, Feuchtigkeit, Beleuchtung, sowie die korrekte Arbeitsposition Ihres Werkzeugs und die Reinhaltung des Arbeitsplatzes sind wichtige Faktoren für die persönliche Sicherheit und die Leistungsfähigkeit der Maschine. Wenn Sie diese Bedingungen berücksichtigen, erleichtern sie sich die Arbeit und haben größere Sicherheit.

**1.3 ANSCHLUSS AN DAS STROMNETZ**

Bevor das Werkzeug an das Stromnetz oder an den Isoliertransformator angeschlossen wird, muß festgestellt

## D

werden, ob es den geltenden Vorschriften im Anwenderland entspricht und ob Stromspannung und -frequenz mit den Angaben auf dem Datenschild übereinstimmen.

Bei der Verwendung von Verlängerungskabeln ist zu überprüfen, ob die Kabel über einen zur Länge ausreichend bemessenen Querschnitt verfügen. Beim Einsatz von aufrollbaren Verlängerungskabeln muß überprüft werden, ob das Kabel vollständig abgerollt ist, um Überhitzungen des Kabels zu vermeiden.

### ACHTUNG

**Der Betriebsschalter dieser Maschinen besitzt eine Sperrtaste, um bei längerem Einsatz nicht ständig auf die Taste drücken zu müssen. Vor Einstecken des Steckers in die Steckdose sicherstellen, daß die Sperrtaste nicht eingeschaltet ist.**

### ACHTUNG

**Wenn die Maschine für längere Zeit nicht benützt wird, die Sperrtaste immer außer Betrieb halten.**

#### 4.4 ARBEITSPLATZ

Das von Ihnen erworbene Gerät ist ein elektrisches Handwerkzeug. Durch seinen Bau, Gewicht und Handlichkeit ist für dessen Einsatz nur ein Bediener vorgesehen. Der Bediener muß die Maschine mit beiden Händen an den entsprechenden Griffen festhalten.

**ACHTUNG - Mit den Händen nicht in die Nähe der Schleifplatte gelangen.**

## EINSTELLUNG

Bei Lieferung ist die Maschine bereits vom Hersteller nach Standardkenngrößen fabrikmäßig eingestellt.

## FUNKTION UND GEBRAUCH

### 1.1 Constant Electronic

Die Modelle TPF115/350VE besitzen einen elektro-nischen Drehzahlregler, der bei jeder beliebigen Arbeitsbedingung die Motordrehzahl konstant hält. Dadurch werden stets die besten Arbeitsbedingungen garantiert.

### 1.2 EINSATZARTEN

Die Modelle TPF115/350VE eignen sich aufgrund ihrer Drehzahl und der Constant Electronic ganz besonders zum Schleifen von Metallkitt und zum Einsatz bei Karosseriearbeiten.

### 1.3 INBETRIEBNAHME UND GEBRAUCH

Die Maschine ist bei Lieferung einsatzbereit, es ist lediglich das Schleifpapier auf der Schleifplatte anzubringen. Es kann vorgelochtes Schleifpapier verwendet werden oder normales Schleifpapier, das mit dem beiliegenden Locher (bei den Modellen AS mit Spanabsaugung) gelocht werden muß. Zur Befestigung des Schleifpapiers, wie folgt vorgehen (Abb. 2-3):

- 1) Eine Greifzange öffnen und das Schleifpapier richtig positionieren.
- 2) Das Schleifpapier auf der Werkzeugplatte spannen.
- 3) Die zweite Greifzange öffnen und die andere Seite des Schleifpapiers einführen. Vergewissern Sie sich, daß das Blatt gut gespannt ist und die ganze Werkzeugplatte abdeckt.

**ACHTUNG - Ein erhöhter Druck auf den Griff bedeutet nicht unbedingt auch erhöhte Schleifgeschwindigkeit, im Gegenteil, es kann eine Überbelastung des Motors mit folglich geringerer Leistungsfähigkeit hervorgerufen werden.**

### 1.4 SCHLEIFFPAPIER

Achten Sie darauf, nur Qualitätspapier einzusetzen; die Leistungen der Maschine werden verbessert und die

Arbeitszeiten verkürzt.

Für Grobschleifen mit viel Materialabfall grobes Schleifpapier mit Körnung 40 - 60 - 80 einsetzen.

Für Feinschleifen Papier mit Körnung 150 bis 320 einsetzen.

### 1.5 SPANABSAUGUNG (Abb. 2-3)

Zur Reinhaltung des Arbeitsplatzes und für ein staubfreies Arbeiten stehen die Absauger Felisatti AS22 und AS35/E zur Verfügung.

Modell AS35/E wird durch den Betriebsschalter des Elektrowerkzeuges ferngeschaltet. Der Betriebsschalter der Maschine wird durch einfaches Einstecken des Netzsteckers in die Steckdose auf dem Absauger verbunden, wodurch viel Zeit und Energie gespart wird.

### 1.6 UNSÄCHGEM ÄSSER EINSATZ

Das von Ihnen erworbene Gerät darf ausschließlich zu den in der vorliegenden Betriebsanleitung angeführten Funktionen eingesetzt werden.

Jeder andere Einsatz der Maschine ist verboten.

### 1.7

### ACHTUNG!

Das Berühren oder Einatmen vom Arbeitsstaub kann für Bediener und Umstehende gefährlich sein!

Beim Polieren von Holzteilen und von mit bleihaltigen Farben lackierten Oberflächen ist besonders aufzupassen aufgrund gefährlicher Staubentwicklung. Der Gebrauch von Schutzbrillen und Staubmasken wird empfohlen.

## WARTUNG

Eine regelmäßige Kontrolle erspart Wartungseingriffe und hält Ihr Gerät in gutem Betriebszustand. Der Motor muß während des Einsatzes stets gut belüftet sein. Niemals die Hände auf das Belüftungsgitter legen. Nach jedem Gebrauch den Netzstecker ziehen und das Gerät sorgfältig reinigen.

### 1.1 ENTSORGUNG

Nach Ablauf der Betriebstüchtigkeit der Maschine oder wenn diese nicht mehr zu reparieren ist, muß das Gerät von dem dafür verantwortlichen Fachpersonal entsorgt werden. Auf keinen Fall darf das Gerät:

- verworfen werden;
- zu den festen Abfällen der städtischen Müllentsorgung beigegeben werden.
- Wenden Sie sich gegebenenfalls an die entsprechenden Entsorgungsstellen.

## ERSATZTEILE

**ACHTUNG - Vor jedem Eingriff zum Ersatzteilwechsel Netzstecker ziehen.**

### 1.1 BÜRSTEN

Die Bürsten werden nach etwa 150 - 200 Arbeitsstunden oder bei Borstenlänge von 5-6 mm ersetzt.

**ACHTUNG -** Für eine korrekte Funktion die Bürsten jeweils paarweise, nicht einzeln ersetzen. Wir empfehlen den Einsatz von originalen Felisatti- Bürsten.

### ACHTUNG

**Dieser Eingriff muß vom technischen Kundendienst durchgeführt werden.**

**ACHTUNG -** Nach Einbau der neuen Bürsten sollte man den Motor mind. 5 Minuten leerlaufen lassen.

### 1.2 AUSTAUSCH DES NETZKABELS

Das Netzkabel auf seinen Zustand überprüfen und bei Beschädigung durch einen autorisierten technischen Kundendienst ersetzen lassen.



Wenn die Maschine nicht mehr benutzbar oder nicht mehr zu reparieren ist, versichern Sie sich, dass die Entsorgung gemäß den örtlichen Vorschriften und von autorisiertem Fachpersonal vorgenommen wird.



#### KONFORMITÄTSERKLÄRUNG

Wir erklären unter unserer eigenen Verantwortung, daß die in diesem Handbuch beschriebenen Produkte der Marke FELISATTI konform zu folgenden der Norm EN 60745, der CE-Maschinenrichtlinie 98/37 und anschließenden Änderungen, 2006/95/CE und 93/68/ EWG und, was die Vorschriften zur elektromagnetischen Verträglichkeit betrifft, der EG-Richtlinie 89/336, den Normen EN 55014.1, EN 55014.2, EN 61000.3.2, EN 61000.3.3 und EN 50366.

Jordi Carbonell

Santiago Lopes







Interskol Power Tools S.L.  
Carretera de Sant Joan de les Abadesses s/n17500 RIPOLL, (Girona), SPAIN

Tel +34972700200

Fax +34972700554

e-mail: [felisatti@interskol.es](mailto:felisatti@interskol.es)